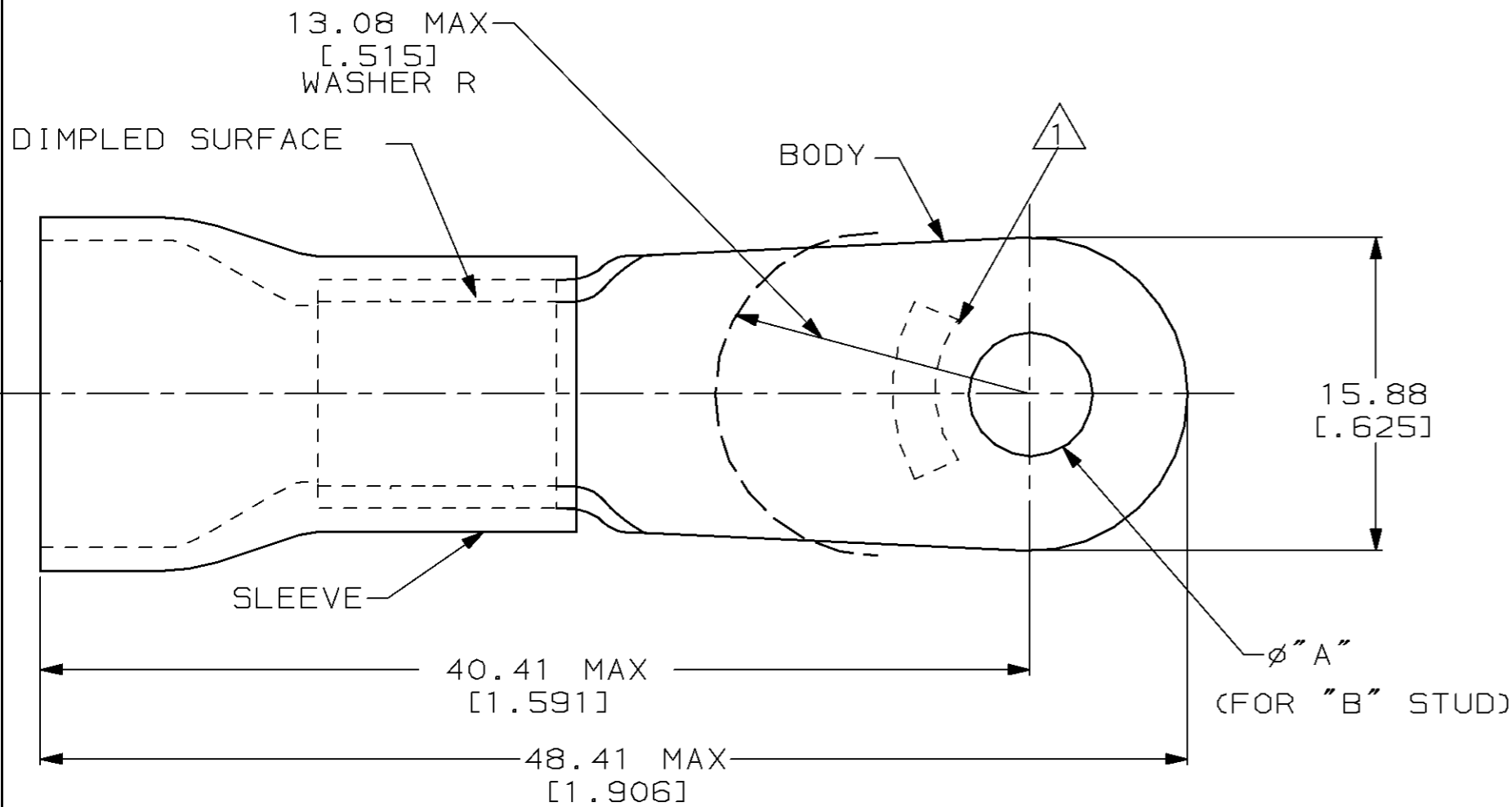


THIS DRAWING IS UNPUBLISHED. RELEASED FOR PUBLICATION, 19  
 © COPYRIGHT 19 BY AMP INCORPORATED. ALL INTERNATIONAL RIGHTS RESERVED.

LOC	DIST	P	F	REVISIONS			DATE	APPD
G	14			ZONE	LTR	DESCRIPTION		
					T	REV / 0L20-0041-97	29MAY97	ME BB



<b>AMP</b> WIRE RANGE	<b>RU</b> FILE E13288	<b>LR7189</b> Certified
6 AWG STRANDED	6 AWG STRANDED	6 AWG STRANDED

- NOTE:
1. STAMP AMP 6\* LOCATE APPROX AS SHOWN
  2. TONGUE MATERIAL THK 1.14±0.08 [.045±.003]
  3. SEE TABLE FOR WIRE INSULATION DIA MAX
  4. FOREIGN PRODUCTION ONLY
  5. TAPE ITEMS ARE ON 30.48 [1.200] CENTERS

11.43 [.450]	3/8	9.91±0.13 [.390±.005]	20	LOOSE PC, BOX SPL	9-52264-5
	5/16	8.33±0.13 [.328±.005]			8-52264-5
9.14 [.360]	3/8	9.91±0.13 [.390±.005]	500	ON TAPE	52264-5
	5/16	8.33±0.13 [.328±.005]			52264-4
11.43 [.450]	3/8	9.91±0.13 [.390±.005]	100	LOOSE PC	52264-3 <sup>4</sup>
	5/16	8.33±0.13 [.328±.005]			52264-2 <sup>4</sup>
					52264-1
					52264

<b>AMP INCORPORATED</b> CUSTOMER SERVICE SYSTEMS		MAX RECOMMENDED OPERATING TEMPERATURE: 90°C	DO NOT SCALE PRINT. UNLESS SPECIFIED DIMENSIONS IN mm [INCHES] TOLERANCES ON: 2 PLC DEC ± 0.20 [.008] 3 PLC DEC ± - ANGLES ± -	DR 9-29-93 S.S. GOULDEN CHK 9-29-93 R. HERSEY APPD 9-29-93 B.BARE APPD 9-29-93 M. ELLIS PRODUCT SPEC NOT AVAILABLE APPLICATION SPEC NOT AVAILABLE WEIGHT -	WIRE INSULATION DIA "B" "A" QTY PACKAGE TYPE PART NO	<b>AMP</b> AMP Incorporated Harrisburg, PA 17105-3608
FOR ADDITIONAL PRODUCT INFORMATION OR COPIES OF DRAWINGS AND TECHNICAL DOCUMENTS	PRODUCT INFORMATION CENTER 1-800-522-6752	VOLTAGE RATING: 600 V MAX	MATERIAL COPPER PER ASTM B-152 PVC, COLOR, BLUE			NAME TERMINAL, RING TONGUE, PLASTI-GRIP™, WIRE SIZE, 6 AWG SIZE B CAGE CODE 00779 DRAWING NO C-52264 SCALE NTS SHEET 1 OF 1
FOR APPLICATION TOOLING INFORMATION	TOOLING ASSISTANCE CENTER 1-800-722-1111	CIRCULAR MIL AREA: 10.54-16.77mm² [20,800-33,100] STRANDED	FINISH TIN PLATE PER MIL-T-10727			
FOR ORDER ENTRY	1-800-526-5142					
THIS DRAWING IS A CONTROLLED DOCUMENT FOR AMP INCORPORATED. IT IS SUBJECT TO CHANGE AND THE CONTROLLING ENGINEERING ORGANIZATION SHOULD BE CONTACTED FOR THE LATEST REVISION.						